

pull

thank you

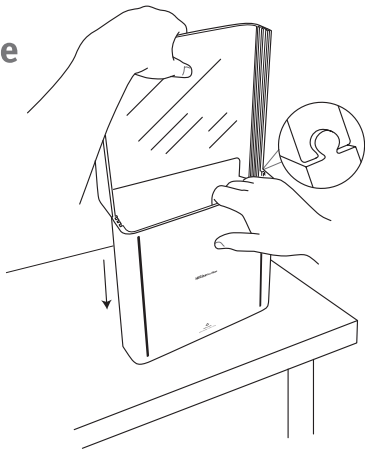
HiRise
adjustable stand for iMac
owner's guide



How to assemble

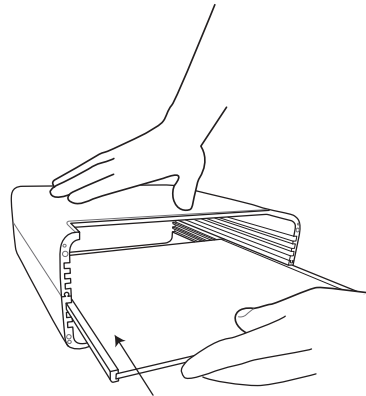
1

Carefully align and slide top onto bottom as shown



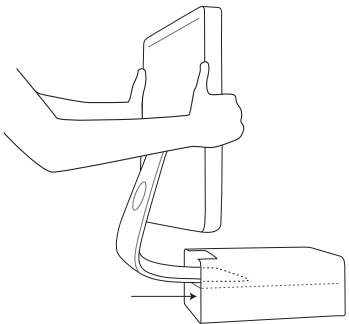
2

Slide shelf into HiRise at desired height



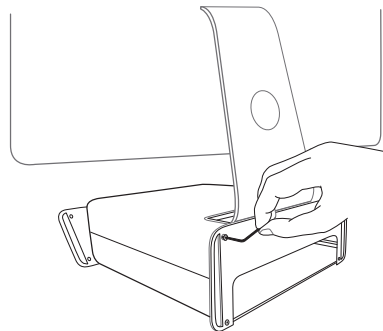
3

Place iMac or Apple Display on shelf inside HiRise



4

Attach screws in back and magnets in front



Tips and tricks

When assembling HiRise, position the bottom section with its end on a stable desktop surface. Align the rails of the two sections, then slide the top down until even with the bottom section.

To adjust iMac to your desired screen height - first remove your iMac, then change the position of the internal shelf. Place iMac back into HiRise and power up to check the new position of your screen.

Screws are recommended for the back faceplate. If using HiRise for accessible desktop storage, the screws on the front plate are not necessary. The built-in magnets will hold the front faceplate closed.

If using HiRise to evenly match the screen height of a 27-inch Apple Display to an iMac, place the shelf on the 2nd slot from the bottom.

Secure the back faceplate with the opening facing down for complete access to connections and power on your peripherals and hard-drives.

Have questions?

Visit twelvesouth.com or contact support@twelvesouth.com

© 2017 Twelve South, LLC. All rights reserved

12 ways to re-purpose your HiRise box

Our flag is red and our hearts are green. So if you could, do the earth a favor and find a fun way to re-use your HiRise box.

1. perfect for storing 8 x 10 photos
2. use it to make a shadow box
3. re-purpose as a fancy gift box
4. store those magazine cut-outs you've been collecting
5. fill with pens, pencils and crayons
6. use as a drawer organizer
7. save it for the next kids' craft project
8. store all of your tax receipts in the box
9. fill with Legos or trading cards
10. turn it into a garage for Hot Wheels
11. flatten it out and use it as backer board in a picture frame
12. fill with sand and use as a zen garden